

|            |       |
|------------|-------|
| Job Name:  |       |
| Reference: | Date: |



### Product Features

- A2L refrigerant R32
- Energy Star Cold Climate certified
- High efficiency operation down to -22°F (-30°C)
- Safe "Hot Gas Pipe" de-icing system
- 50ft long "Coanda Airflow"
- "Multi Space" air circulation
- Built-in Wi-Fi Adapter



Sharp Air app available in Apple® App Store and Google® Play Store.

| CAPACITIES and POWER INPUT |                      |         |        |
|----------------------------|----------------------|---------|--------|
| Cooling at 95°F            | Max. Capacity        | BTU/H   | 24,000 |
|                            | Rated Capacity       | BTU/H   | 22,000 |
|                            | Min. Capacity        | BTU/H   | 6,000  |
|                            | Max. Power Input     | W       | 2,850  |
|                            | Rated Power Input    | W       | 2,200  |
|                            | Moisture Removal     | Pints/h | 6.8    |
|                            | Sensible Heat Factor | %       | 69.3   |
|                            | Power Factor         | %       | 96     |
| Heating at 47°F            | Max. Capacity        | BTU/H   | 27,100 |
|                            | Rated Capacity       | BTU/H   | 24,000 |
|                            | Min. Capacity        | BTU/H   | 5,500  |
|                            | Max. Power Input     | W       | 2,360  |
| Heating at 17°F            | Rated Power Input    | W       | 1,800  |
|                            | Power Factor         | %       | 94     |
|                            | Max. Capacity        | BTU/H   | 22,400 |
|                            | Rated Capacity       | BTU/H   | 22,400 |
| Heating at 5°F             | Max. Power Input     | W       | 2,800  |
|                            | Rated Power Input    | W       | 2,800  |
|                            | Max. Capacity        | BTU/H   | 19,000 |
| Heating at -4°F            | Max. Power Input     | W       | 2,530  |
|                            | Max. Capacity        | BTU/H   | 16,400 |
| Heating at -13°F           | Max. Capacity        | BTU/H   | 13,900 |
| Heating at -17°F           | Max. Capacity        | BTU/H   | 12,300 |
| Heating at -22°F           | Max. Capacity        | BTU/H   | 10,500 |

NOTE: Test conditions are based on AHRI 210/240.

|                  |   |
|------------------|---|
| Cooling at 95°F  | Indoor: 80°F (26.7°C) DB / 67°F (19.4°C) WB<br>Outdoor: 95°F (35.0°C) DB / 75°F (23.9°C) WB |
| Heating at 47°F  | Indoor: 70°F (21.1°C) DB / 60°F (15.6°C) WB<br>Outdoor: 47°F (8.3°C) DB / 43°F (6.1°C) WB   |
| Heating at 17°F  | Indoor: 70°F (21.1°C) DB / 60°F (15.6°C) WB<br>Outdoor: 17°F (-8.3°C) DB / 15°F (-9.4°C) WB |
| Heating at 5°F   | Indoor: 70°F (21.1°C) DB / 60°F (15.6°C) WB<br>Outdoor: 5°F (-15.0°C) DB / 3°F (-16.1°C) WB |
| Heating at -4°F  | Indoor: 70°F (21.1°C) DB / 60°F (15.6°C) WB<br>Outdoor: -4°F (-20.0°C) DB / -1°F (-1°C) WB  |
| Heating at -13°F | Indoor: 70°F (21.1°C) DB / 60°F (15.6°C) WB<br>Outdoor: -13°F (-25.0°C) DB / -1°F (-1°C) WB |
| Heating at -17°F | Indoor: 70°F (21.1°C) DB / 60°F (15.6°C) WB<br>Outdoor: -17°F (-27.2°C) DB / -1°F (-1°C) WB |
| Heating at -22°F | Indoor: 70°F (21.1°C) DB / 60°F (15.6°C) WB<br>Outdoor: -22°F (-30.0°C) DB / -1°F (-1°C) WB |

| EFFICIENCIES                 |  |             |
|------------------------------|--|-------------|
| SEER/SEER2                   |  | 19.0 / 22.0 |
| EER2                         |  | 10.0        |
| HSPF (IV) /HSPF2 (IV)        |  | 12.3 / 11.0 |
| HSPF (V) /HSPF2 (V)          |  | 9.6 / 8.5   |
| COP at 47F                   |  | 3.91        |
| COP at 17F at Max. Capacity  |  | 2.34        |
| COP at 5F at Max. Capacity   |  | 2.2         |
| COP at -22F at Max. Capacity |  | 1.7         |

| ELECTRICAL                          |      |                |
|-------------------------------------|------|----------------|
| Voltage, Phase, Frequency           |      | 208/230, 1, 60 |
| Guaranteed Voltage Range            | V AC | 187 - 253      |
| Voltage: Indoor - Outdoor, S1-S2    | V AC | 208/230        |
| Voltage: Indoor - Outdoor, S2-S3    | V DC | 24             |
| Short-circuit Current Rating (SCCR) | KA   | 5.0            |
| Rated Running Current (Cool/Heat)   | A    | 10.0 / 8.4     |
| MCA (Indoor/Outdoor)                | A    | 0.4/17.0       |
| Maximum Fuse Size (MOCP)            | A    | 25             |
| Circuit Breaker                     | A    | 20             |
| Wire Size (Indoor - Outdoor)        | AWG  | 14             |

| COMPRESSOR      |         |                 |
|-----------------|---------|-----------------|
| Type            |         | Twin Cylinder   |
| Model           | A       | KTN150D63UFZR3  |
| Rated Load Amps | A       | 12              |
| Oil Type        |         | Ester Oil VG75r |
| Oil Charge      | oz (ml) | 14.2 (420)      |

| PIPING                         |          |                  |
|--------------------------------|----------|------------------|
| Gas Pipe Size O.D. (Flared)    | In. (mm) | 3/8 (9.52)       |
| Liquid Pipe Size O.D. (Flared) | In. (mm) | 1/4 (6.35)       |
| Chargeless Piping Length       | Ft. (m)  | 25 (7.6)         |
| Min.-Max Pipe Length           | Ft. (m)  | 10 (3) - 66 (20) |
| Maximum Height Difference      | Ft. (m)  | 33 (10)          |

| REFRIGERANT                      |               |                 |
|----------------------------------|---------------|-----------------|
| Type                             |               | R32             |
| Refrigerant Control              |               | Expansion Valve |
| Charge                           | oz. (g)       | 49 (1390)       |
| Additional Charge of Refrigerant | oz./Ft. (g/m) | 0.16 (15)       |
| Defrost Method                   |               | Reverse Cycle   |
| De-icing System                  |               | Hot Gas Pipe    |

| FAN and SOUND                  |       | Indoor Unit                 | Outdoor Unit  |
|--------------------------------|-------|-----------------------------|---------------|
| Fan                            |       | Cross Flow Fan              | Propeller Fan |
| Fan Motor Full Load Amperage   | A     | 0.4                         | 0.8           |
| Fan Motor Output               | W     | 30                          | 41            |
| Airflow Rate at Cooling, Dry   | CFM   | 674 / 636 / 519 / 367 / 290 |               |
| Airflow Rate at Cooling, Wet   | CFM   | 594 / 560 / 457 / 323 / 255 | 1723          |
| Airflow Rate at Heating, Dry   | CFM   | 752 / 713 / 558 / 403 / 290 |               |
| Sound Pressure Level (Cooling) | dB(A) | 47 / 45 / 40 / 33 / 30      | 53            |
| Sound Pressure Level (Heating) | dB(A) | 49 / 47 / 41 / 31 / 25      | 54            |

| DIMENSION and WEIGHT |                     | Indoor Unit                              | Outdoor Unit                          |
|----------------------|---------------------|--|---------------------------------------|
| Unit Dimensions      | W x H x D: In. (mm) | 41.4 x 12.4 x 9.8<br>(1052 x 316 x 249)  | 33.5 x 27.9 x 13<br>(850 x 710 x 330) |
| Package Dimensions   | W x H x D: In. (mm) | 43.8 x 12.7 x 15.3<br>(1113 x 323 x 389) | 38.3 x 30.8 x 17<br>(974 x 783 x 431) |
| Unit Weight          | lbs. (kg)           | 31 (14)                                  | 95 (43)                               |
| Package Weight       | lbs. (kg)           | 35 (16)                                  | 104 (47)                              |

| OPERATING TEMPERATURE                            |         | Indoor Unit           | Outdoor Unit          |
|--|---------|-----------------------|-----------------------|
| Cooling (Max. / Min.)                            | °F (°C) | 90 / 70 (32.2 / 21.1) | 115 / 14 (46.1 / -10) |
| Cooling Thermal Lock-out / Re-start Temperatures | °F (°C) | -                     | -                     |
| Heating (Max. / Min.)                            | °F (°C) | 81 / - (27.2 / -)     | 75 / -22 (23.9 / -30) |
| Heating Thermal Lock-out / Re-start Temperatures | °F (°C) | -                     | -22 (-30)             |

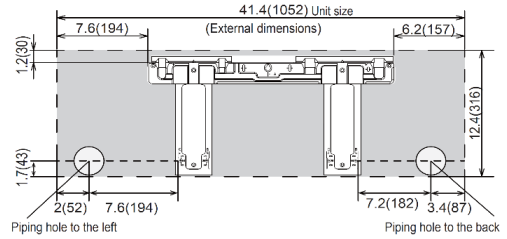
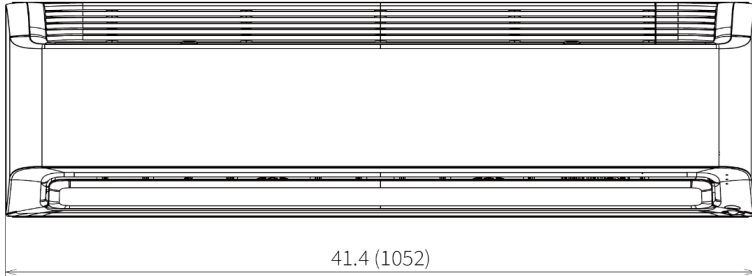
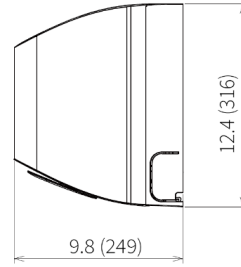
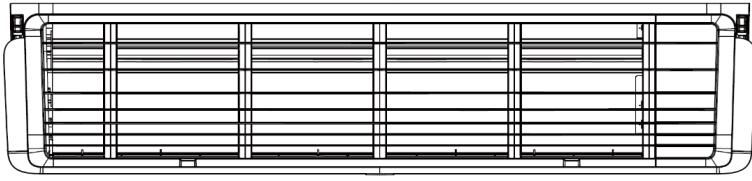
| OTHERS                    |          | Indoor Unit    | Outdoor Unit                |
|---------------------------|----------|----------------|-----------------------------|
| Drain Pipe Size           | In. (mm) | -              | φ0.7 and φ0.8 (φ17 and φ20) |
| External Finish Color     |          | Premium White  | Warm Beige                  |
| Coating on Heat Exchanger |          | Normal Coating | Blue Fin Coating            |

NOTE: Test conditions are based on AHRI 210/240.

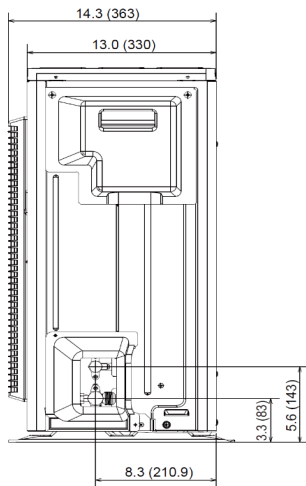
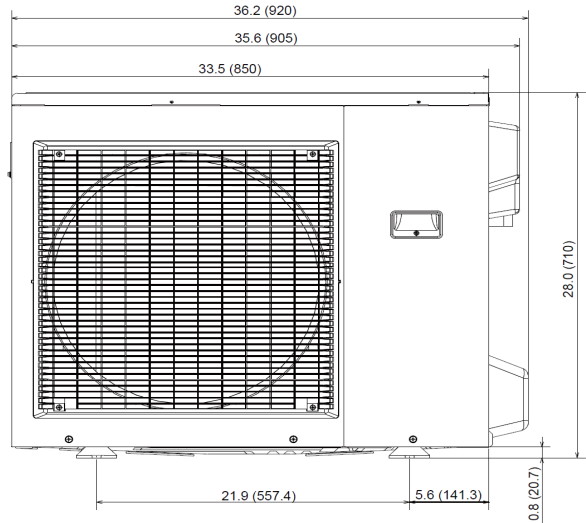
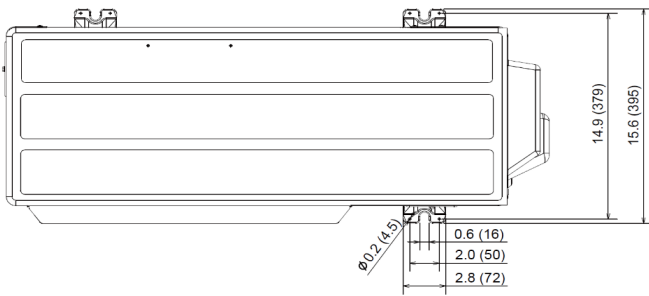
**DIMENSIONS: AY-XP24CU / AE-X24CU**

**Indoor Unit**

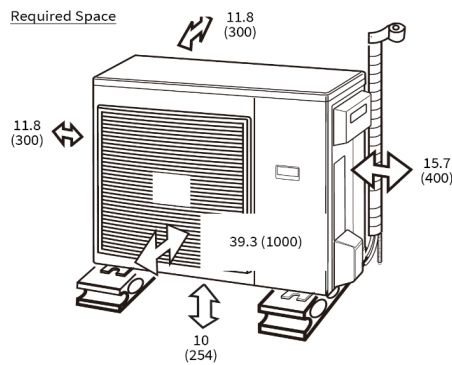
Length unit: inch (mm)



**Outdoor Unit**



Required Space



**SHARP**

Sharp Corporation, Japan  
2-1-25, Kyutaromachi, Chuo-ku, Osaka

